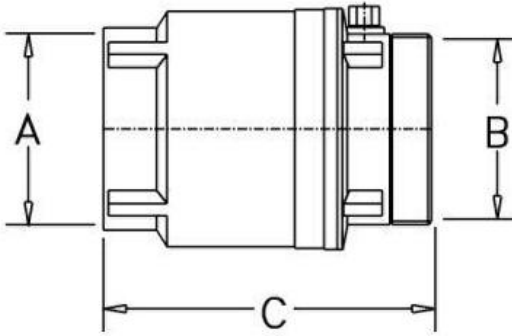




## IE144T



**Product Categories:** [Uncategorized](#)

**Product Page:** <https://www.wilsonandcousins.com/product/ie144t/>

### Product Summary

4" 300lb Rated Threaded Check Valve

### Product Description

4" 300lb Rated Male NPT threaded inlet x Female NPT threaded outlet Check Valve.  
Used to prevent reverse water flow in Fire Protection Systems UL/ULC Approved



### Engineering Specifications

Wilson and Cousins Model IE144T 300lb Rated UL/ULC Approved Thread x Thread spring loaded Check Valve suitable for horizontal or vertical installation (upward flow only)

## Dimensions

A= 4" (F) NPT

B= 4" (M) NPT

C= 7.875" (200mm)