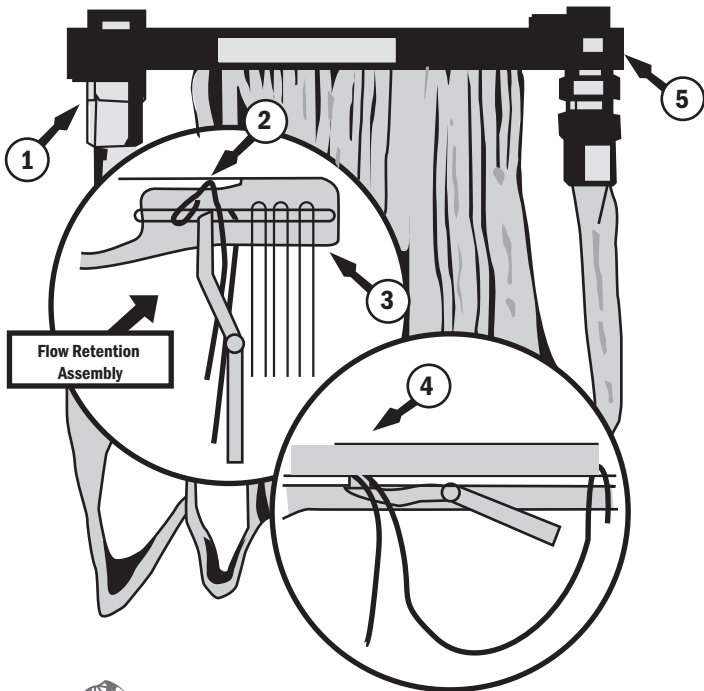


IE SERIES MODEL "A" HOSE RACK



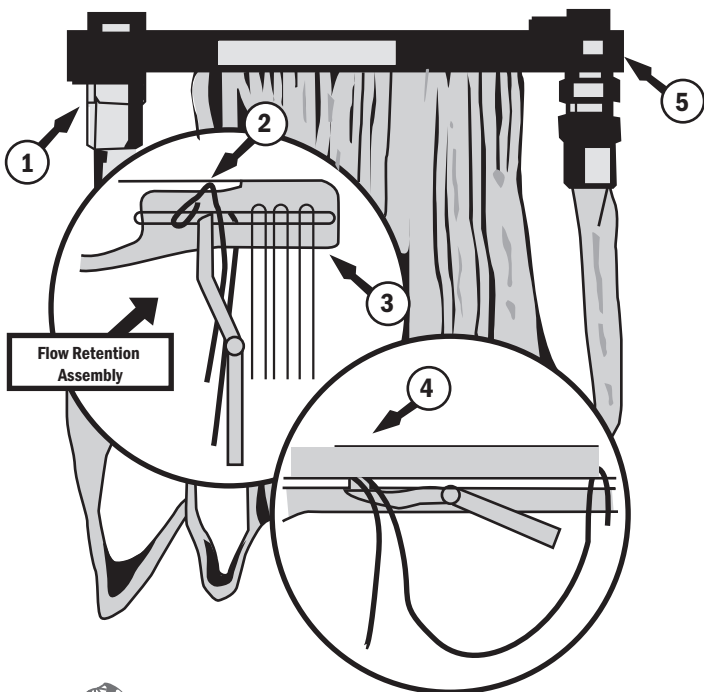

WILSON & COUSINS

IE SERIES MODEL "A" HOSE RACK

1. ATTACH FEMALE COUPLING TO NIPPLE
2. FOLD HOSE 14" FROM COUPLING, INSERT FOLD BETWEEN FLOW RETENTION ASSEMBLY
3. PULL WATER LEASH 90 DEGREES FROM RACK, LOCKING HOSE IN PLACE
4. PLACE REMAINING FOLDS ON HOSE PINS
5. AFTER LAST FOLD IS ON HOSE PIN, PULL HOSE TAB 90 DEGREES FROM RACK

WHEN HOSE IS PROPERLY INSTALLED, VALVE MAY BE OPENED WITHOUT WATER PASSING BEYOND FLOW RETENTION ASSEMBLY. WATER WILL FLOW WHEN LAST FOLD OF HOSE IS PULLED FROM RACK.

IE SERIES MODEL "A" HOSE RACK




WILSON & COUSINS

IE SERIES MODEL "A" HOSE RACK

1. ATTACH FEMALE COUPLING TO NIPPLE
2. FOLD HOSE 14" FROM COUPLING, INSERT FOLD BETWEEN FLOW RETENTION ASSEMBLY
3. PULL WATER LEASH 90 DEGREES FROM RACK, LOCKING HOSE IN PLACE
4. PLACE REMAINING FOLDS ON HOSE PINS
5. AFTER LAST FOLD IS ON HOSE PIN, PULL HOSE TAB 90 DEGREES FROM RACK

WHEN HOSE IS PROPERLY INSTALLED, VALVE MAY BE OPENED WITHOUT WATER PASSING BEYOND FLOW RETENTION ASSEMBLY. WATER WILL FLOW WHEN LAST FOLD OF HOSE IS PULLED FROM RACK.